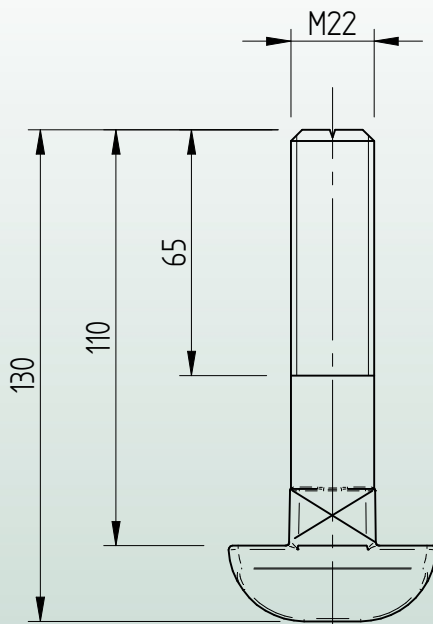
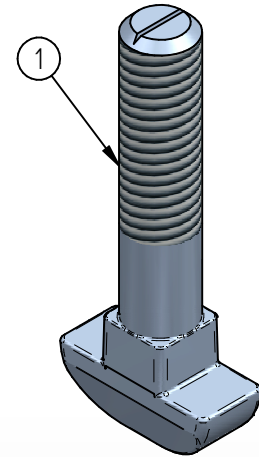
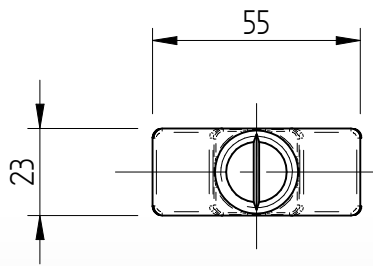


# Standard fastening material T-headed bolt Hs 40w 22/110



\* Standard preservation is hot dip galvanized or self-coloured.  
Other preservation and grade options in agreement.

1	Hammerhead bolt	S235JR Grade 4.6*	M22 x 110mm	Hs 40 w	m = 0,492 [kg]
Item	Description	Material	Type / Dimensions	Norm	Comments

**BEMO RAIL** 

Debbemeerweg 59  
1749 DK Warmenhuizen  
The Netherlands

Tel.: +31 (0)226 425300  
E-mail: info@bemorail.com  
www.bemorail.com