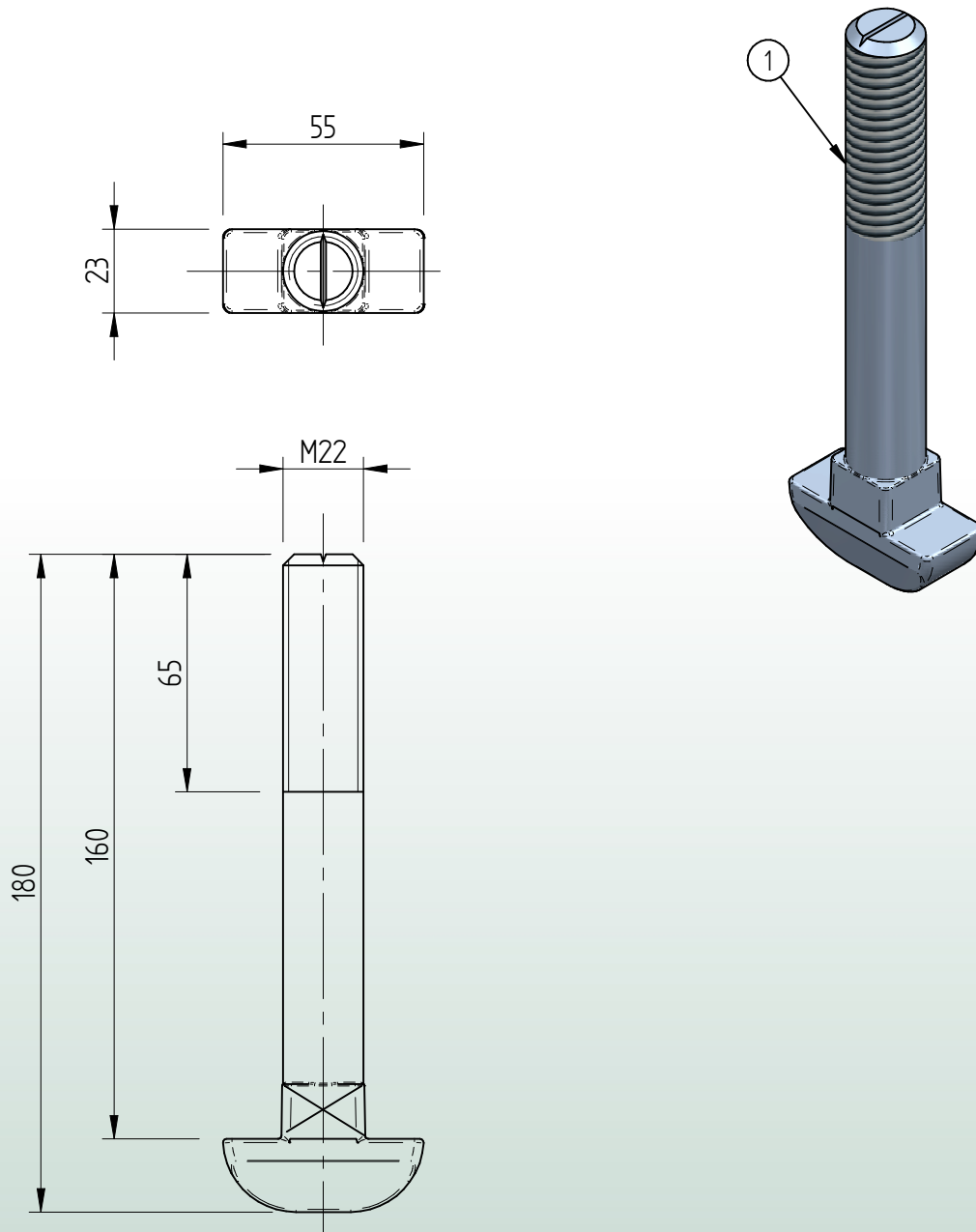


Standard fastening material

T-headed bolt Hs 40w 22/160



* Standard preservation is hot dip galvanized or self-coloured.
Other preservation and grade options in agreement.

1	Hammerhead bolt	S235JR Grade 4,6*	M22 x 160mm	Hs 40 w	m = 0,462 [kg]
Item	Description	Material	Type / Dimensions	Norm	Comments

BEMO RAIL 

Debbemeerweg 59
1749 DK Warmenhuizen
The Netherlands

Tel.: +31 (0)226 425300
E-mail: info@bemorail.com
www.bemorail.com