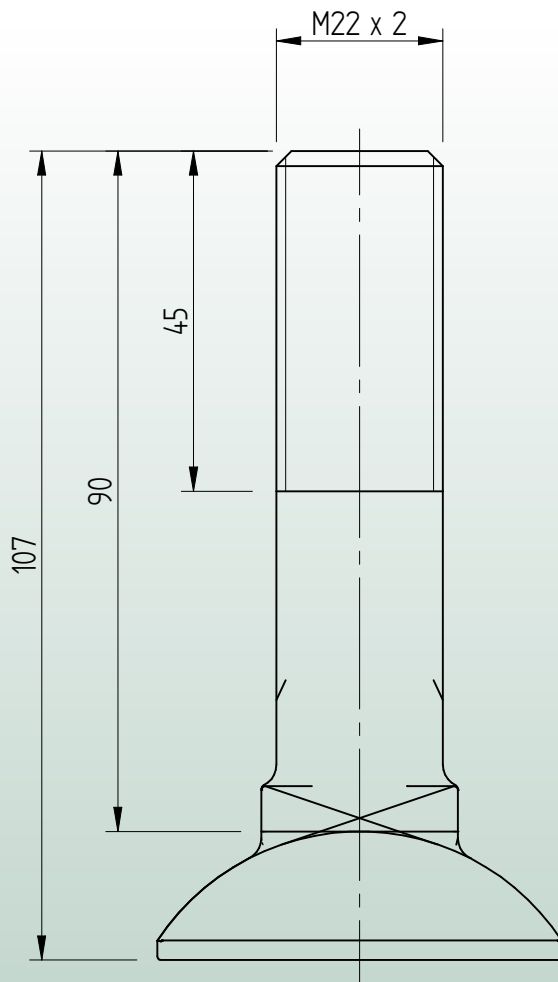
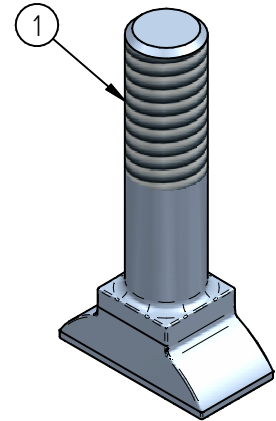
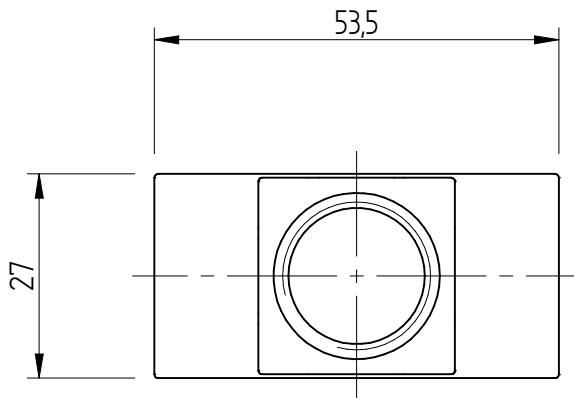


Standard fastening material

T-headed bolt HS 32/90



* Standard preservation is hot dip galvanized or self-coloured.
Other preservation and grade options in agreement.

Item	Description	Material	Type / Dimensions	Norm	Comments
1	T bolt	S235JR Grade 4,6*	Hs 32/90		m = 0,344 [kg]



Debbemeerweg 59
1749 DK Warmenhuizen
The Netherlands

Tel.: +31 (0)226 425300
E-mail: info@bemorail.com
www.bemorail.com