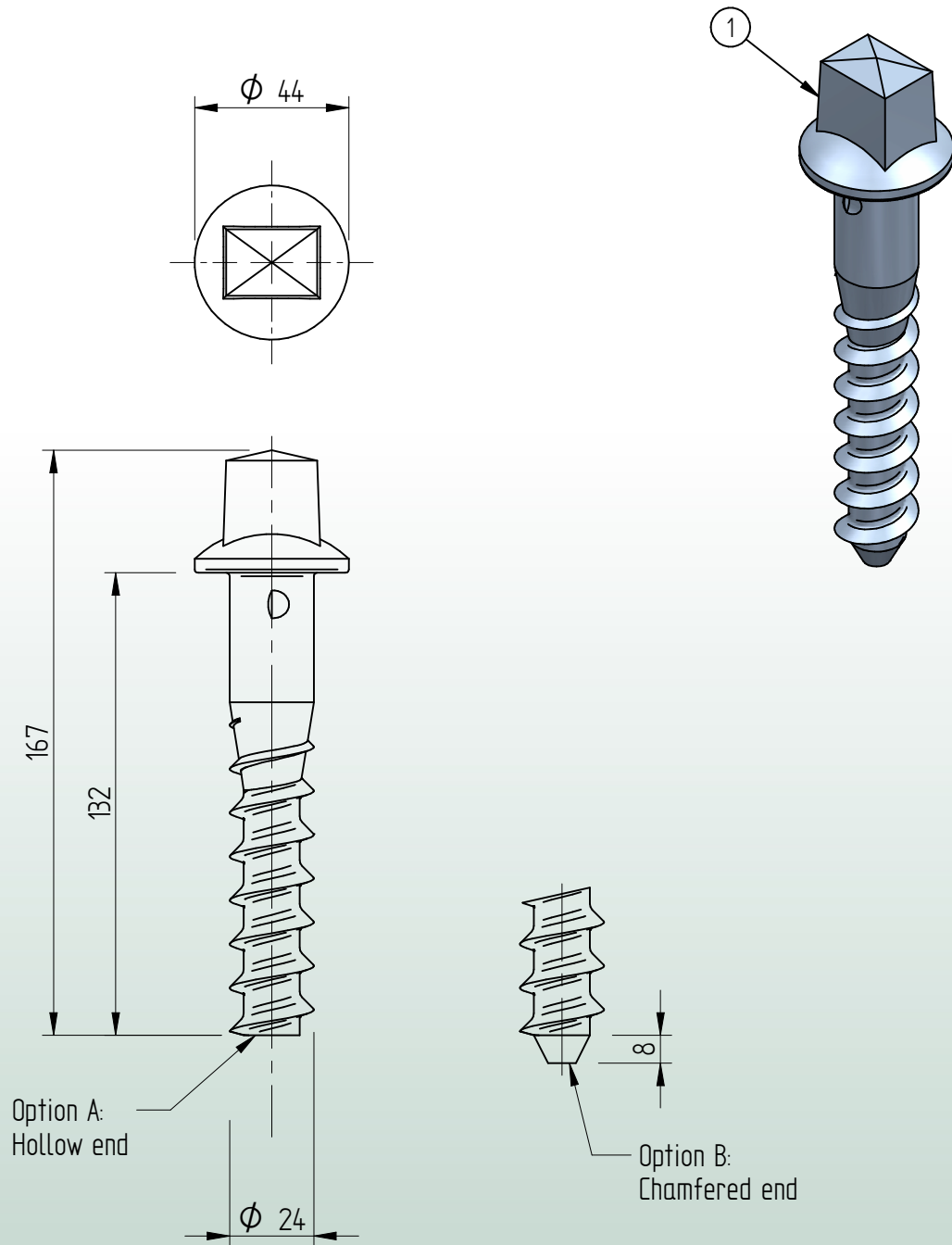


Standard fastening material

Sleeper screw Ss 8/140



* Standard preservation is hot dip galvanized and standard material grade is 4.6.
Other preservation and grade options in agreement.

1	Sleeper screw / Ss8	*	SS8 / $\phi 24 \times 140$		m = 0,525 [kg]
Item	Description	Material	Type / Dimensions	Norm	Comments