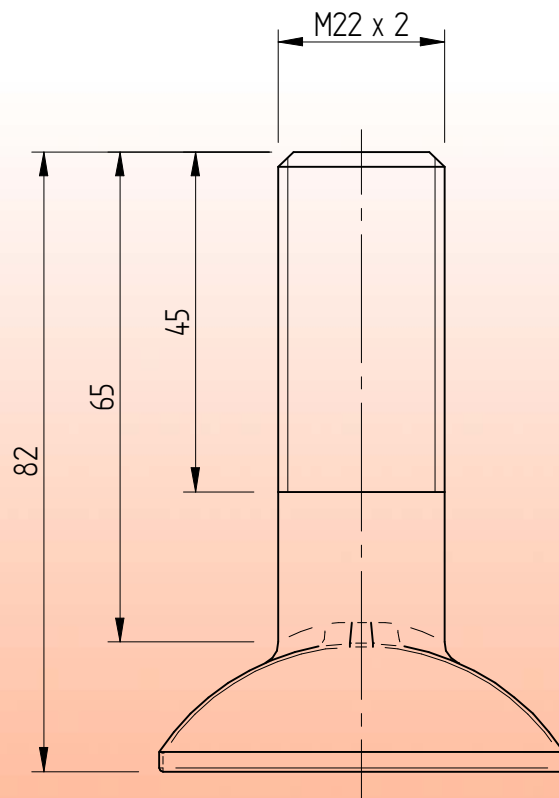
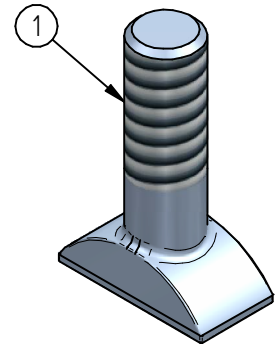
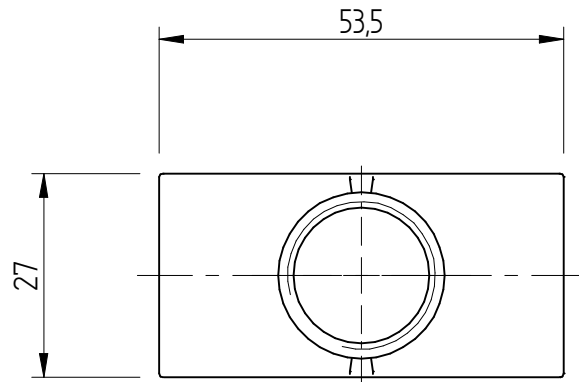


Standard fastening material

T-headed bolt HS 26/65



* Standard preservation is hot dip galvanized or self-coloured.
Other preservation and grade options in agreement.

| 1 | T bolt | S235JR Grade 4,6* | Hs 26/65 | | m = 0,344 [kg] |
|------|-------------|-------------------|-------------------|------|----------------|
| Item | Description | Material | Type / Dimensions | Norm | Comments |